

A Study of Fault Detection Thresholds under Stochastic Conditions Intrinsic to Power Distribution Systems

Dr. Karen N. Miu & Nicholas S. Coleman

Drexel University
power.ece.drexel.edu

IEEE PES GM 2016
July 18, 2016

Outline

- Introduction & Motivation
- Fault Record Database
- Detector Design
 - Discrete Wavelet Transformation
 - Quarter-cycle Feature Generation
 - Support Vector Machines
- Testing and Results

Introduction & Motivation

- Intrinsic Distribution System Characteristics
 - Unbalanced phase voltages
 - Uncertain net nodal power injections (loads & sources)
 - Uncontrolled phase angles at fault inception
- Investigate:
 - the sensitivity of wavelet-based fault detection thresholds with respect to injection level & intrinsic phase differences
 - online quarter-cycle detection
- How: Hardware Laboratory Environment
 - Unbalanced utility source voltage
 - Range of configurable, power injections

Fault Record Database: RDAC

- Reconfigurable Distribution Automation & Control (RDAC) Laboratory @ Drexel [1,2]

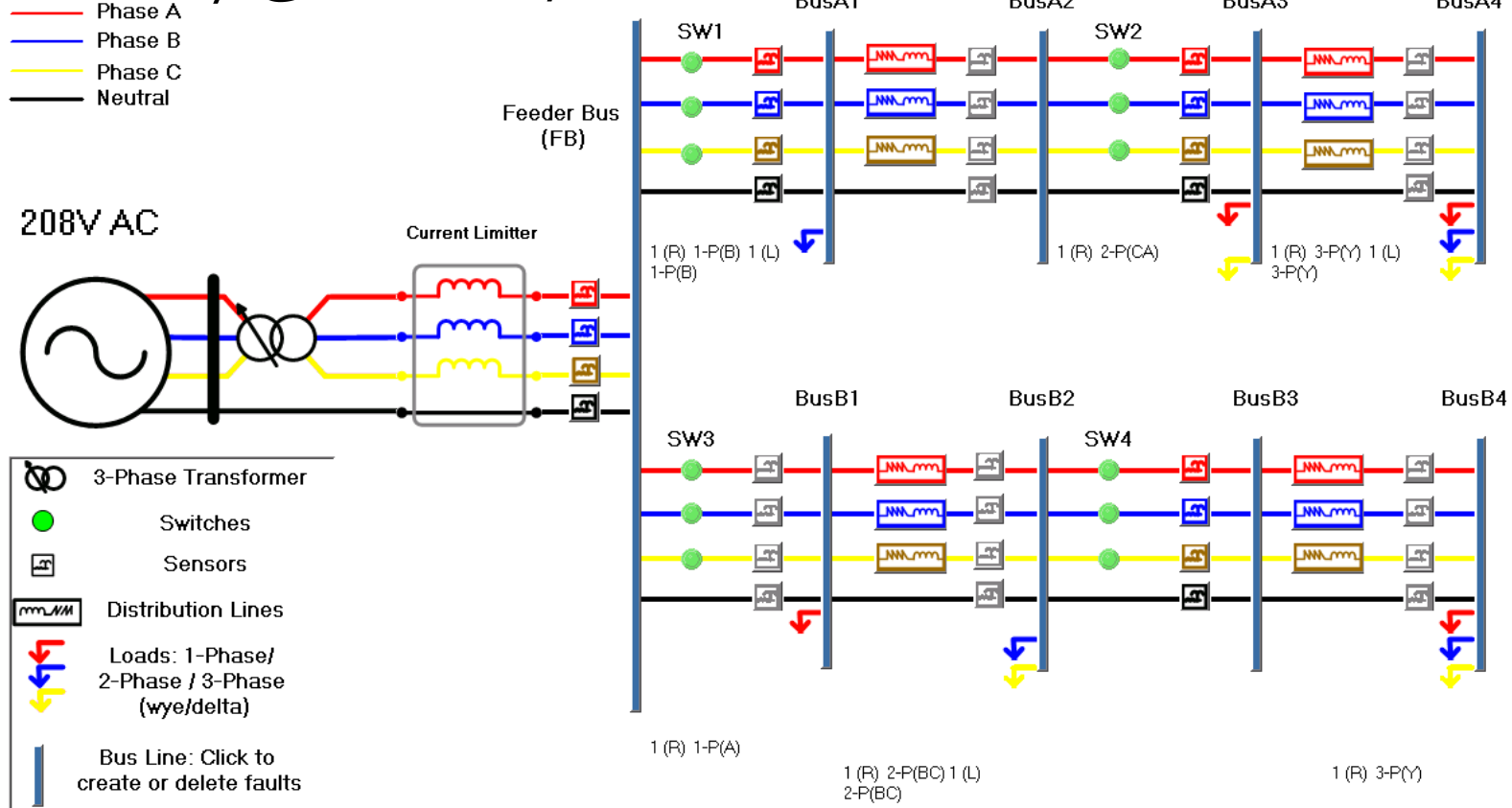


Fig. 1. Unbalanced multi-phase power flow experiment in RDAC.

Fault Record Database

- 551 short-circuit fault events sensed in RDAC laboratory

Table I. Number of available event records of each type.

Fault Type	Injection Level			Total	
	Light	Medium	Heavy		
AG	20	17	20	57	} 181 LG
BG	21	22	21	64	
CG	20	21	20	61	
AB	20	21	20	61	} 181 LL
BC	19	20	20	59	
CA	22	21	19	62	
ABG	21	21	21	63	} 187 LLG
BCG	21	21	20	62	
CAG	21	21	20	62	
Total	185	185	181	551	

- Sampled phase voltage waveforms captured for each event
- 60 samples / cycle (15 samples / quarter-cycle)

Detector Design

- Discrete Wavelet Transform
 - Capture time-localized disturbances in signals
- Power system applications
 - Tap changing, capacitor energization [3]
 - Voltage sag / swell / flicker [4]
 - Fault detection / classification [5]-[8]
- Daubechies-4 (db-4) Wavelet
 - 2nd level detail coefficients

$\sim 1/4$ -Cycle Feature Generation

- 16 samples / quarter-cycle
- Filter and down-sample at each level
- (4) 2^{nd} -level detail coeff. / **feature**
- Feature: four-coefficient signal energy
 - Sum-of-squares of prev. (4) 2^{nd} -level coefficients

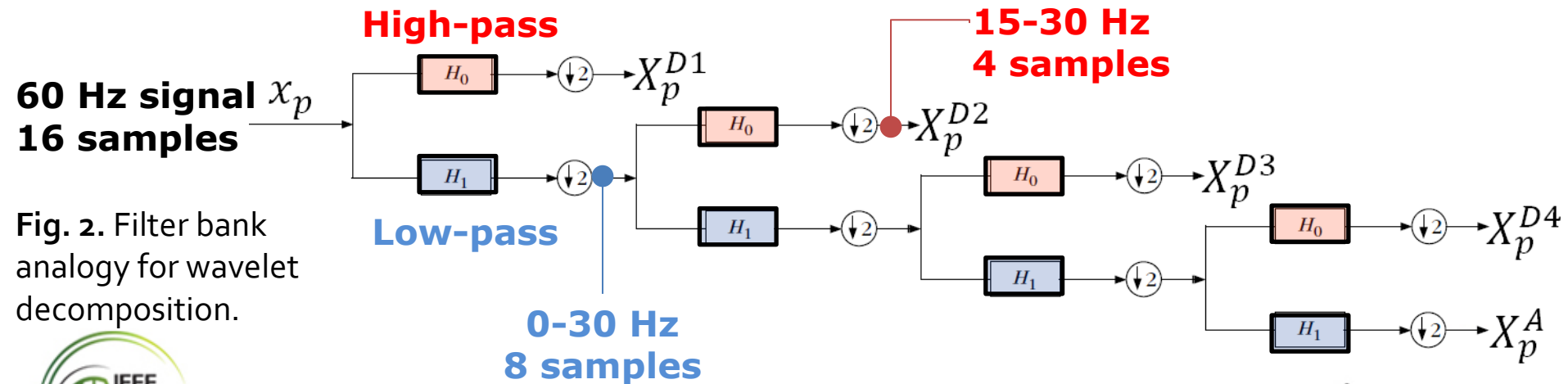


Fig. 2. Filter bank analogy for wavelet decomposition.

1/4-Cycle Feature Example

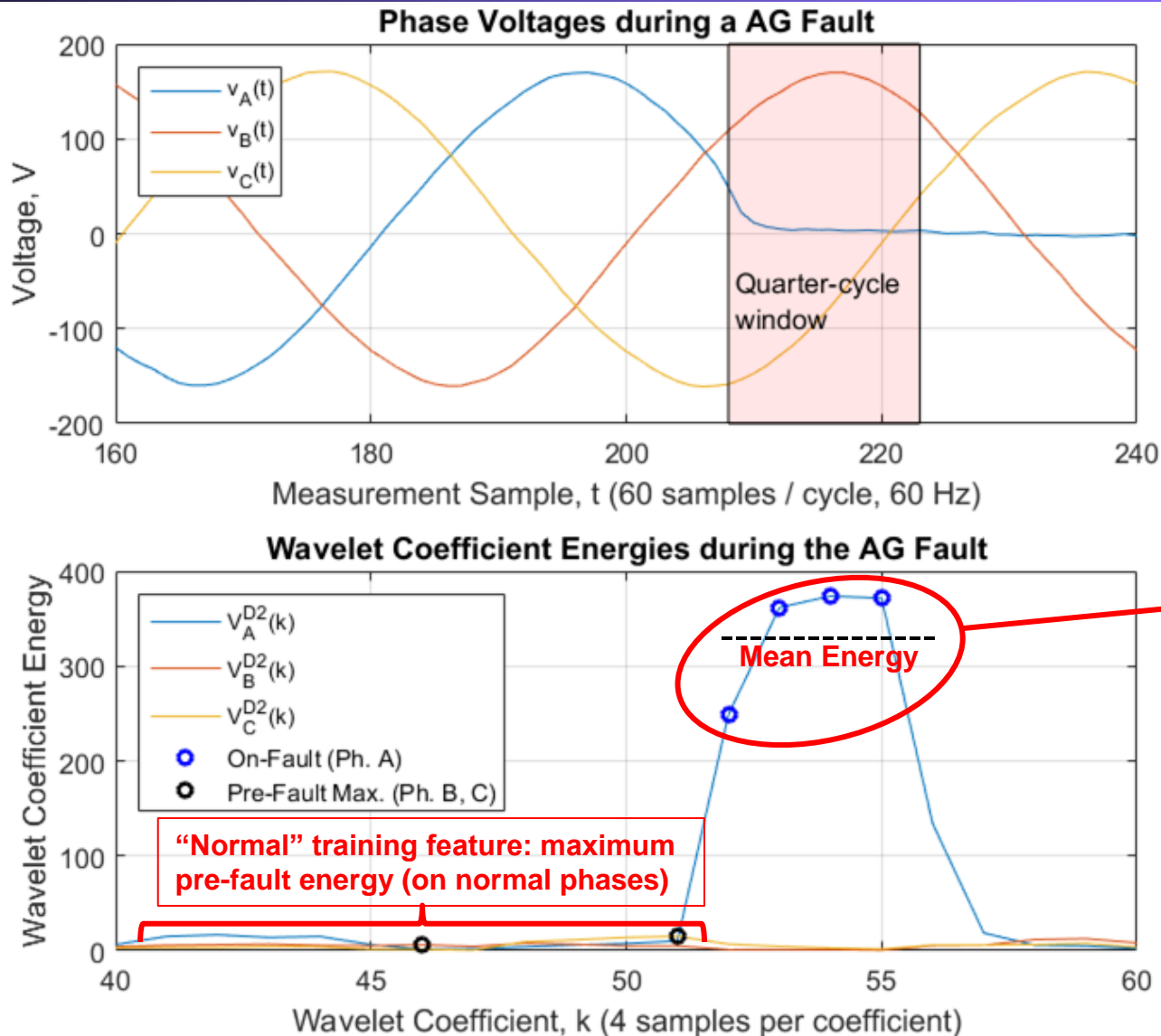


Fig. 3. 1/4-cycle feature generation example.

Decision Boundary Training

- Generate **(1) feature per phase** for each training set event
- Use **support vector machines to find optimal boundaries** between “faulted” and “normal” features in e_p -space
- Training set: $\sim 70\%$ of fault events from each load level

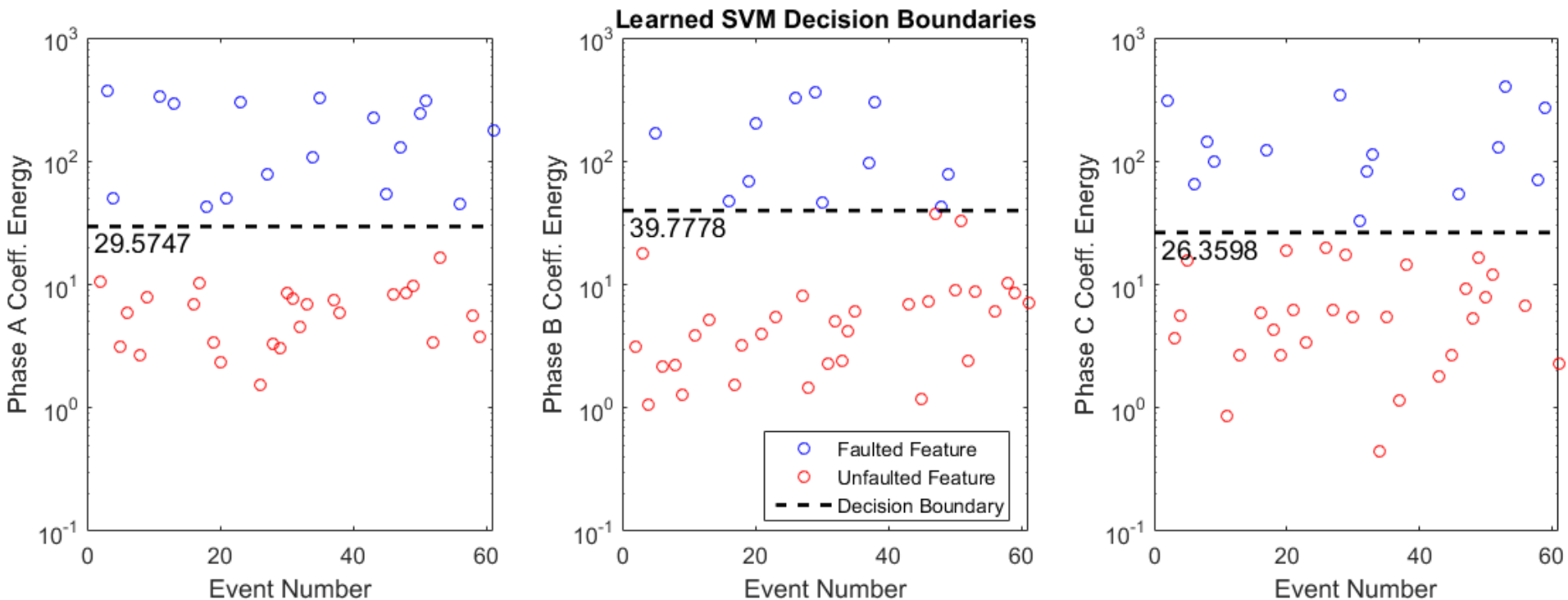


Fig. 4. Decision boundary training example: LG faults, light injection level, phases considered separately.

Detection Process

- Testing set events (~30% of database) scanned sample-by-sample
- Faulted phase(s) 'detected' where a threshold is crossed
- Example: BCG fault
 - Voltage distortion causes false alarm on Ph. C prior to actual BCG fault

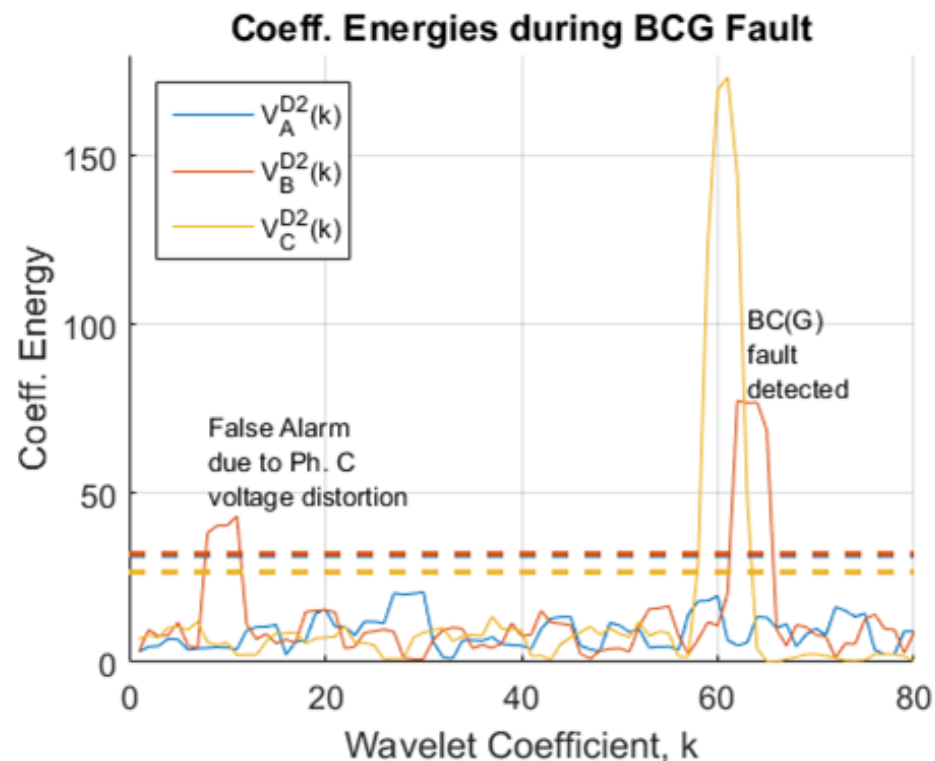


Fig. 5. Detection example: false alarm at coefficient $k=8$.

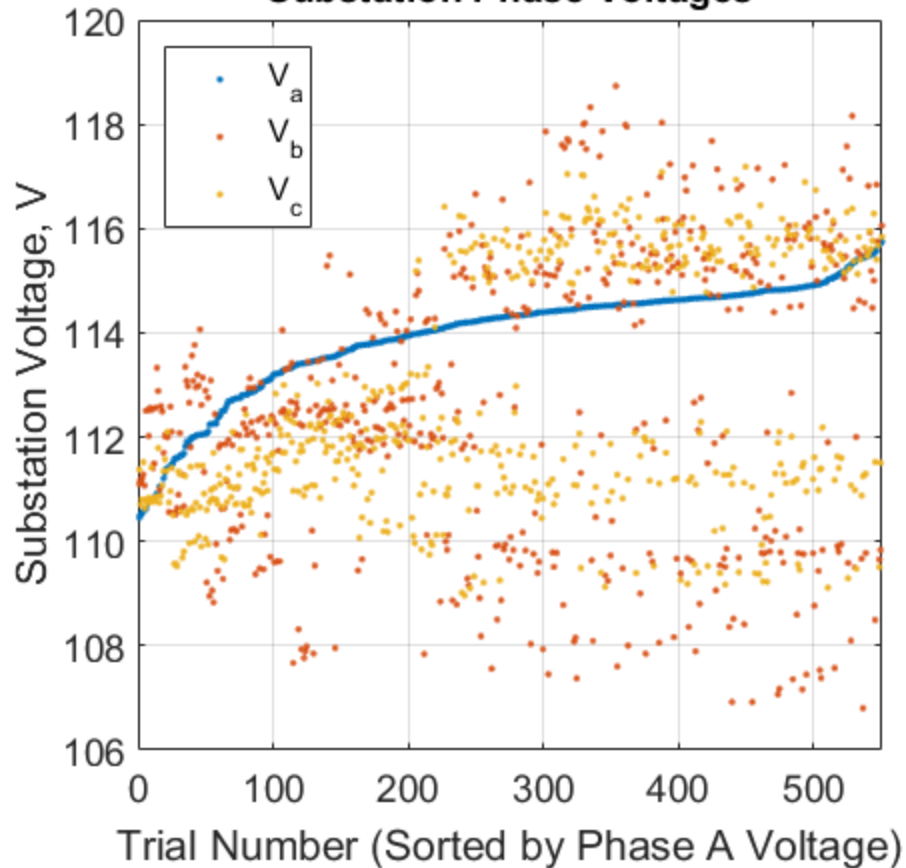
Results

Obtained to investigate the impacts of:

- Injection level
 - How does injection level impact the thresholds?
 - Is there a “best” training set to use?
- Intrinsic phase differences
 - How do thresholds vary across the phases?
 - Is it necessary to train phase thresholds separately?

Experiment/Database Characteristics

Sensed Pre-Fault Steady-State
Substation Phase Voltages



Pre-Fault Steady-State Substation
3 Φ Real Power Demand

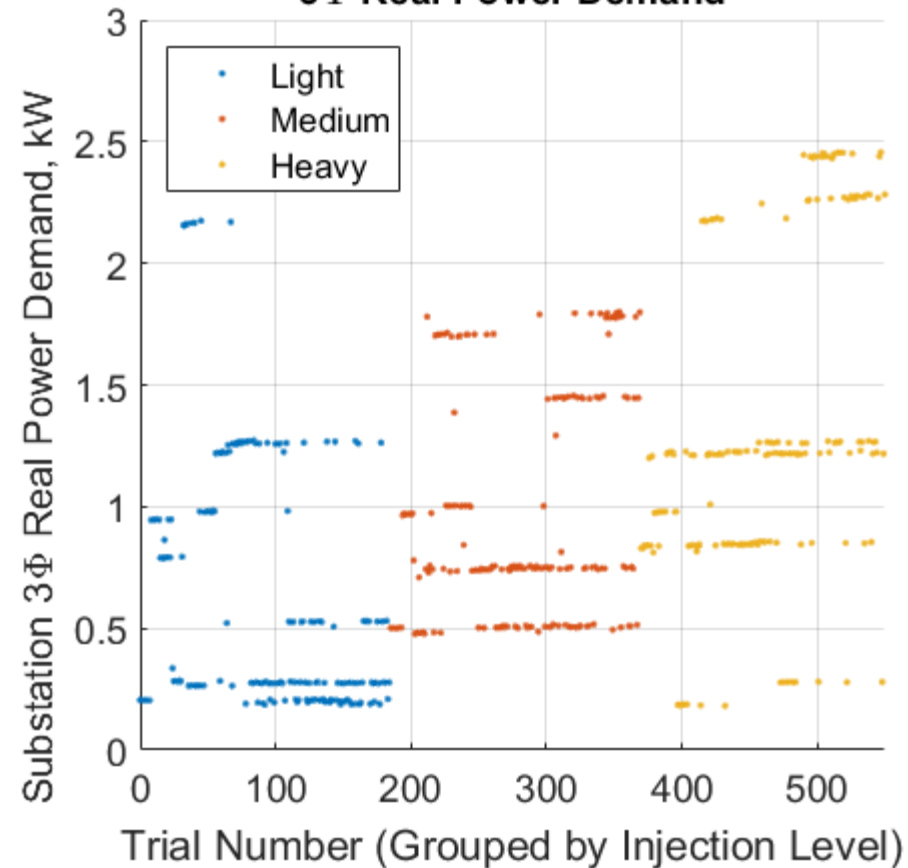


Fig. 6. Stochastic substation phase voltages (left) and total injection levels (in kW, right) in 551 RDAC studies.

Results: Injection Level

- How does injection level affect thresholds?

Table II. Sample threshold sets (rng seed = 22) when trained using events from each load level set and from a combination of the three load level sets.

Training Set Load Level	Learned Thresholds		
	Phase A	Phase B	Phase C
Light	30.47	37.64	27.90
Medium	30.65	35.14	29.30
Heavy	29.98	35.04	31.35
Combination	31.26	31.01	33.22

- In this case, different injection levels yield similar thresholds across the phases
- Variation across the phases is apparent

Results: Injection Level

- Is there a best training set?
 - Weaker detection performance observed when using thresholds trained at light injection level

Table III. Average performance across 100 training sets for each combination of trained threshold sets and testing data load levels.

Training Set	Testing Set	Avg. Success Count	Avg. Missed Detections	Avg. Mis-classifications	Testing Set Count
Light	Light	41.64	2.46	11.90	56
	Medium	41.41	3.96	10.63	56
	Heavy	40.75	2.51	11.74	55
Medium	Light	48.18	1.38	6.44	56
	Medium	48.69	2.58	4.73	56
	Heavy	48.60	1.56	4.84	55
Heavy	Light	46.13	2.18	7.69	56
	Medium	45.93	3.05	7.02	56
	Heavy	46.41	2.29	6.30	55

Results: Phase Differences

- Table I showed nontrivial between-phase variations in $\frac{1}{4}$ -cycle detection thresholds
 - Variations are small compared to the scale of faulted vs. normal features
- Little impact on performance with an “average” threshold
 - Combine training data, select median, etc.

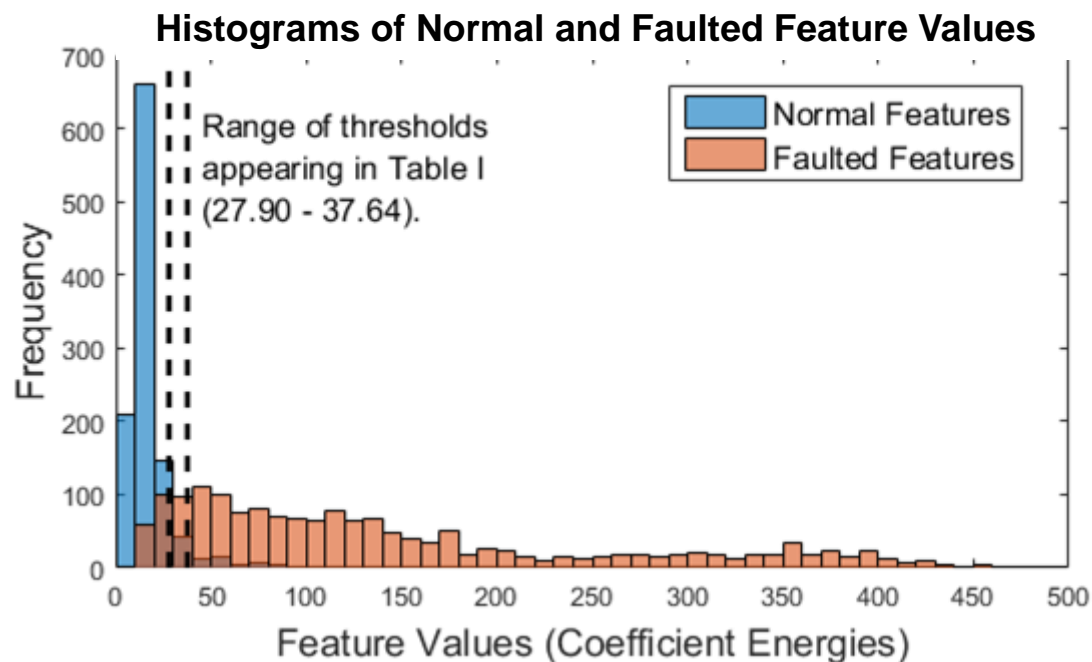
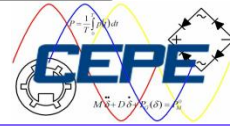


Fig. 7. Distributions of normal & faulted feature values vs. range of thresholds.

Remarks

- Despite intrinsic stochastic properties...
 - Distribution of phase voltages at the substation
 - Distribution of power demand and different injection levels
- ... wavelet-based fault-detection thresholds can work under a variety of operating conditions.
- Optimal (SVM-placed) threshold range is small compared to the range of the feature space
- Observed performance bias **against** thresholds trained at light injection levels



Thank you for your attention!

References

- [1] V. Cecchi; X. Yang; K. Miu; C. Nwankpa; "Instrumentation and Measurement of a Power Distribution System Laboratory for Meter Placement and Network Reconfiguration Studies," *IEEE Trans. Instrum. Meas.*, vol. 56, no. 4, Aug. 2007, pp. 1224- 1230.
- [2] X. Yang, S. Carullo, K. N. Miu, C. Nwankpa, "Reconfigurable Distribution Automation and Control Laboratory: Multi-phase, Radial Power Flow Experiment," *IEEE Trans. Power Syst.*, vol. 20, no. 3, Aug. 2005, pp. 1207-1214.
- [3] A. Borghetti, M. Bosetti, M. Di Silvestro, C. A. Nucci and M. Paolone, "Continuous-Wavelet Transform for Fault Location in Distribution Power Networks: Definition of Mother Wavelets Inferred From Fault Originated Transients", *IEEE Trans. Power Syst.*, vol. 23, no. 2, pp. 380-388, May 2008.
- [4] A. Borghetti, M. Bosetti, C. A. Nucci, M. Paolone and A. Abur, "Integrated Use of Time-Frequency Wavelet Decompositions for Fault Location in Distribution Networks: Theory and Experimental Validation", *IEEE Trans. Power Deliv.*, vol. 25, no. 4, pp. 3139-3146, Oct 2010.
- [5] S. M. Brahma, "Fault Location in Power Distribution System with Penetration of Distributed Generation", *IEEE Trans. Power Deliv.*, vol. 26-3, pp. 1545 – 1553, July 2011.
- [6] S. M. Brahma, A. A. Girgis, "Development of Adaptive Protection Scheme for Distribution Systems with High Penetration of Distributed Generation", *IEEE Trans. Power Deliv.*, vol. 19-1, pp. 56-63, January 2004.
- [7] O. A. S. Youssef, "Combined fuzzy-logic wavelet-based fault classification technique for power system relaying", *IEEE Trans. Power Delivery*, vol. 19, no. 2, pp. 582-589, Apr 2004.
- [8] F. B. Costa, B. A. Souza and N. S. D. Brito, "Real-time classification of transmission line faults based on Maximal Overlap Discrete Wavelet Transform," in *2012 IEEE PES Transmission and Distribution Conference and Exposition*, Orlando, FL, May 2012.